



PLANNING & APPLICATION UNI-SCREW MANUAL

Disclaimer

The information in this manual is by no means exhaustive. This document has been developed to assist with the correct preparation and installation of EQUITONE panels. For full and detailed information about storage, handling, preparation, and design and installation requirements of EQUITONE, refer to EQUITONE Planning and Application Guide and other available EQUITONE relevant technical documents.

Refer to EQUITONE Material Safety Data Sheets (MSDS) or Safety Information Sheets (SIS) for more information about health and safety, including common hazards associated with working with EQUITONE, and measures to minimize risk.

The information in this document is correct at the time of issuing. However, due to our committed program of continuous material and system development we reserve the right to amend or alter the information contained in this document without prior notice. Please contact your local EQUITONE sales organization or visit www.equitone.com to ensure you have the most current version.

This document is supplied in good faith and no liability can be accepted for any loss or damage resulting from its use. Images and construction details contained in this document are not to a specific scale, and are indicative and for illustration purposes only.

This document is protected by International copyright laws. Reproduction and distribution in whole or in part without prior written permission is strictly prohibited. EQUITONE and logos are trademarks of Etex NV or an affiliate thereof. Any use without authorization is strictly prohibited and may violate trademark laws.

TABLE OF CONTENTS

TOOLS & ACCESSORIES

Page 3

STORAGE & HANDLING

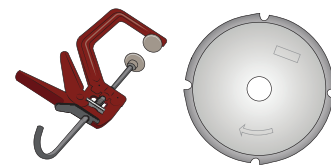
Page 4-6



PANEL CUTTING

Tools, Page 7

Panel cutting, Page 8



PANEL EDGE TREATMENT

Tools, Page 9

Panel edge treatment, Page 10-12



PANEL DRILLING

Tools, Page 13

Panel drilling, Page 14-15

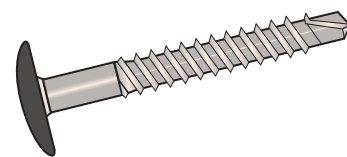
Panel drilling EQUITONE [linea], Page 16-17



UNI-SCREW FIXING

Tools, Page 18

UNI-Screw Fixing, Page 19-20



VENTILATION

Page 21



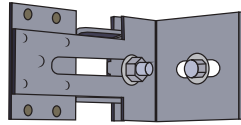
INSTALLATION

Page 22-26

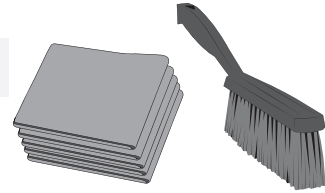


TOOLS & ACCESSORIES

Adjustable Bracket



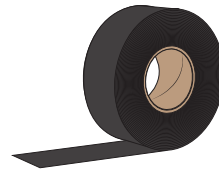
EQUITONE Care Toolkit



Ribbed EPDM or Flat EPDM



Option 1

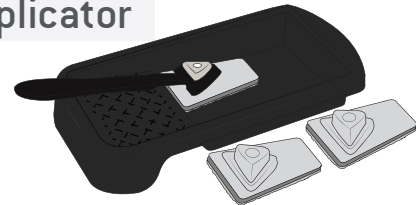


Option 2

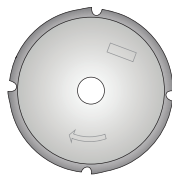
*LUKO Edge Sealer



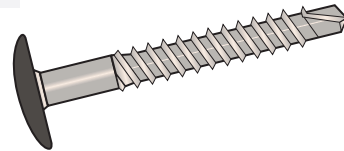
*LUKO Applicator



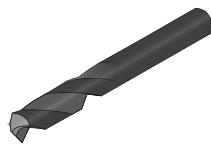
EQUITONE Fiber Cement Saw Blade



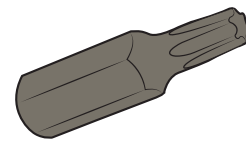
UNI-Screw



EQUITONE Fiber Cement Drill Bit 7mm



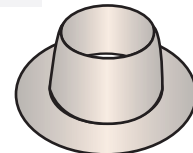
Torx T20



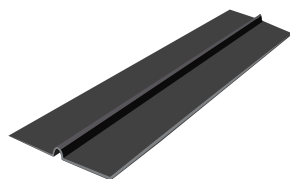
EQUITONE [linea] Milling Tool 7mm



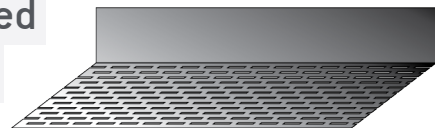
**UNI-Screw Collar



Aluminum Horizontal Joint Profile



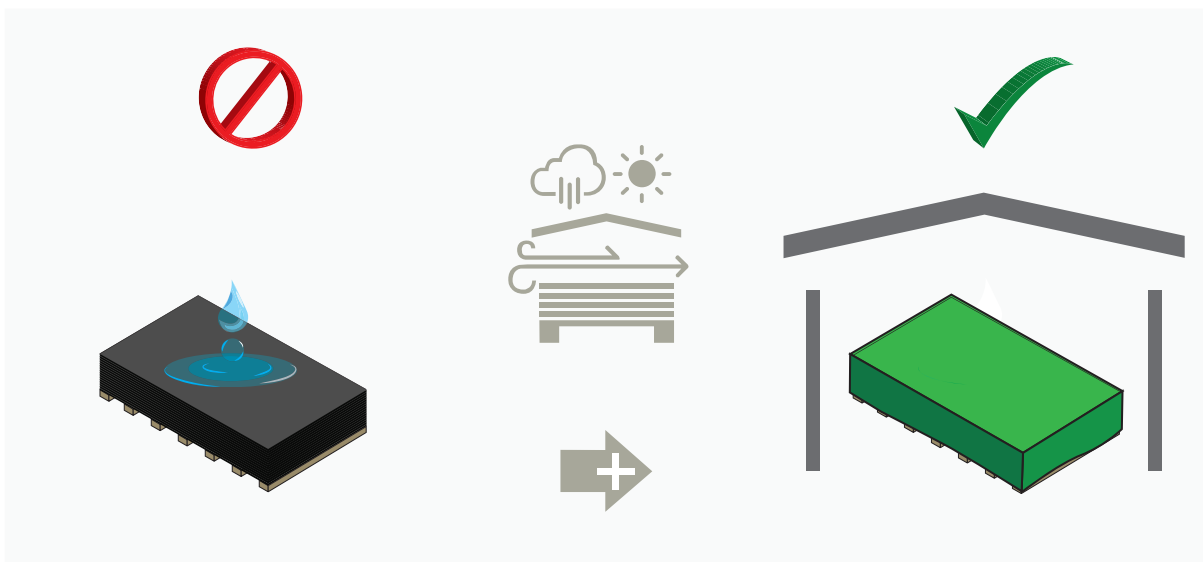
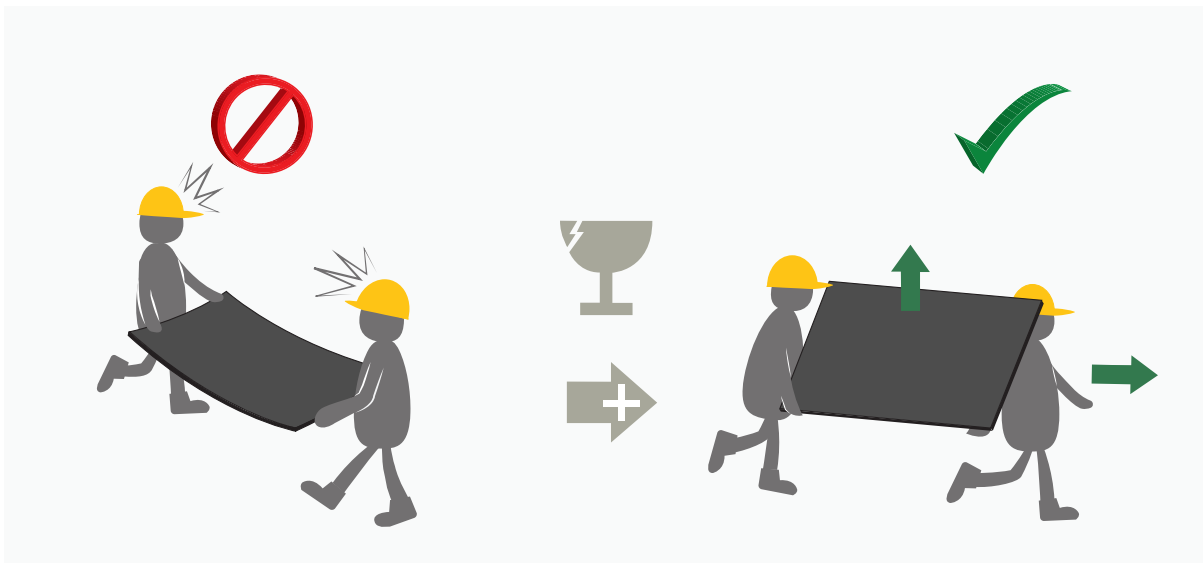
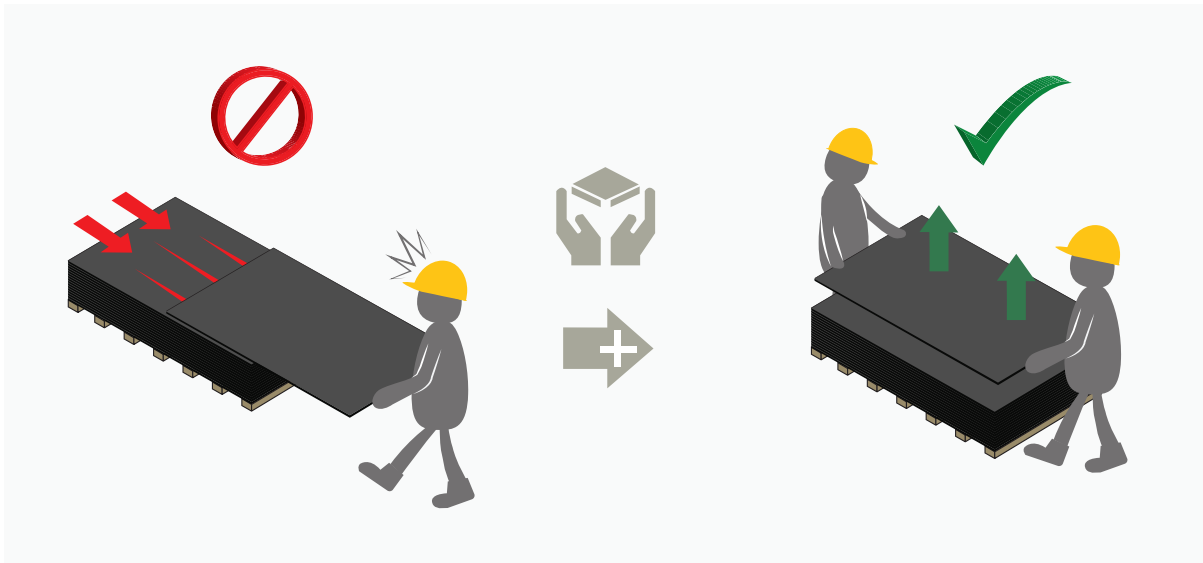
Aluminum Perforated Closure

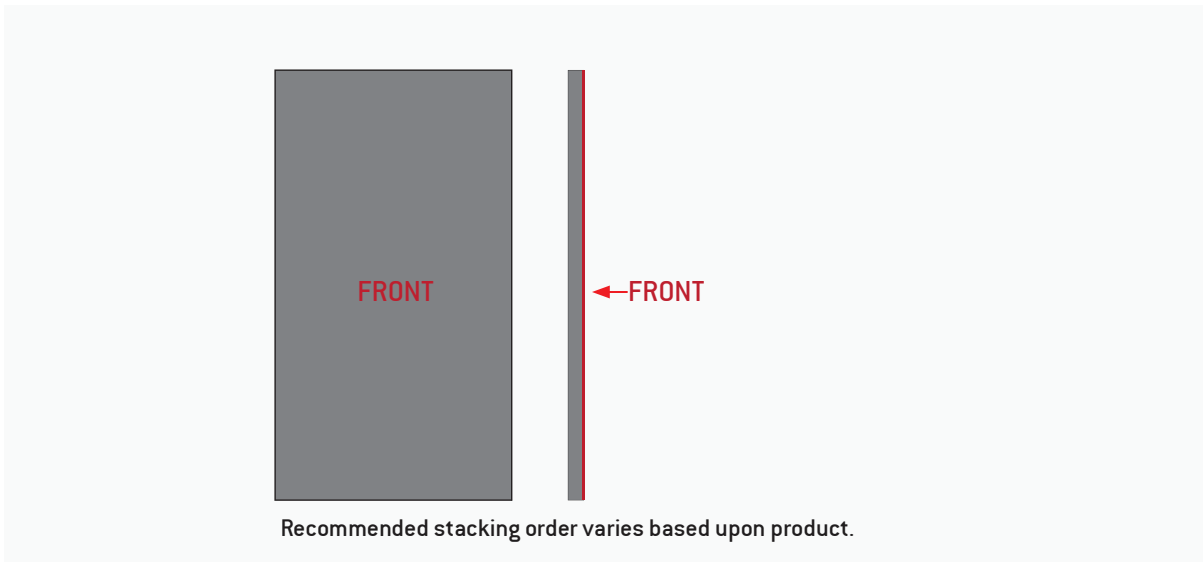
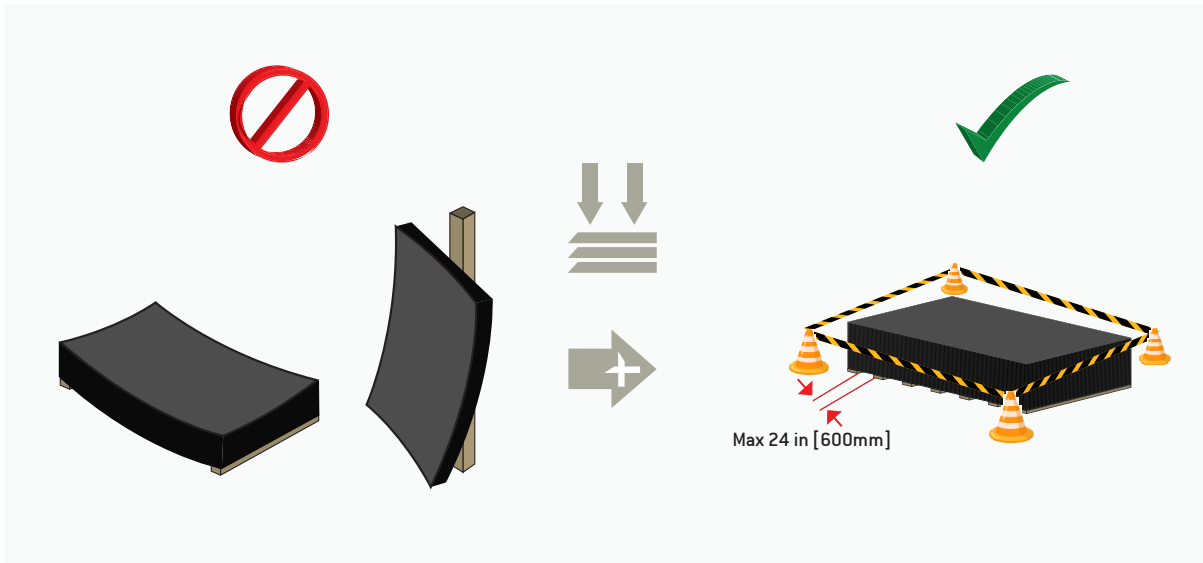


*Only for EQUITONE [natura] PRO & [natura]

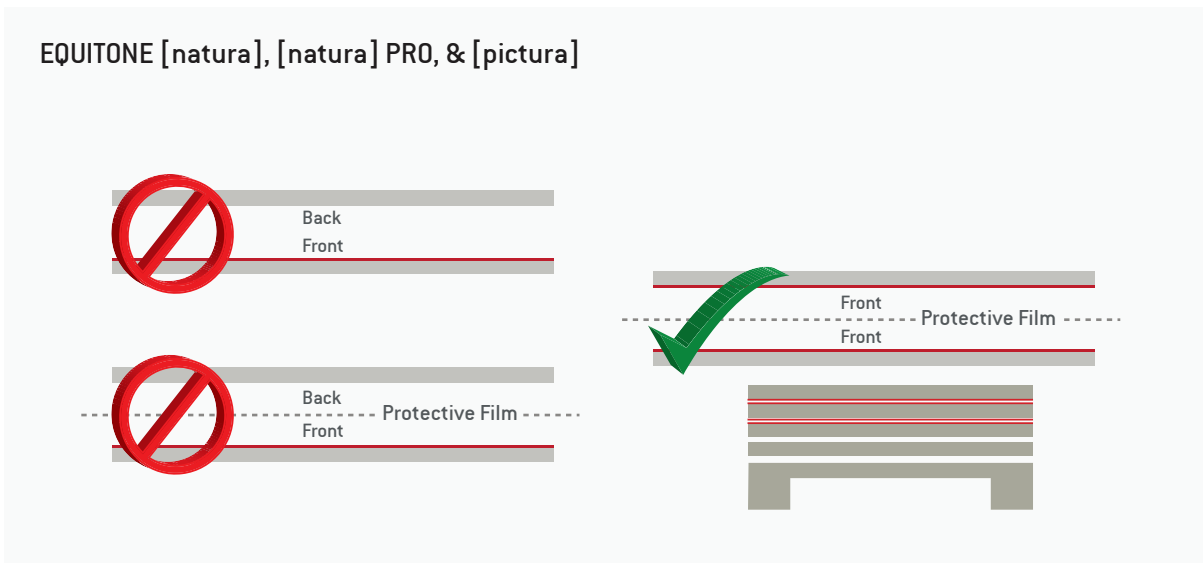
**Only for EQUITONE [natura] PRO & [pictura]

STORAGE & HANDLING

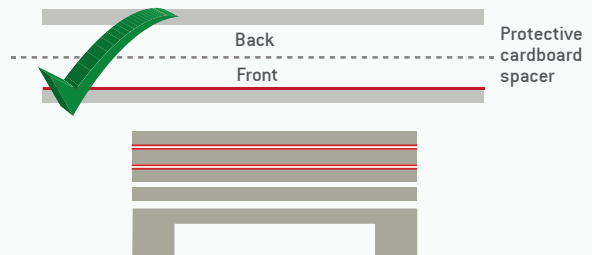
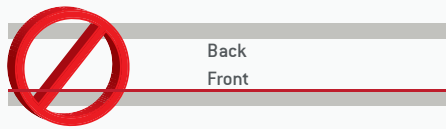




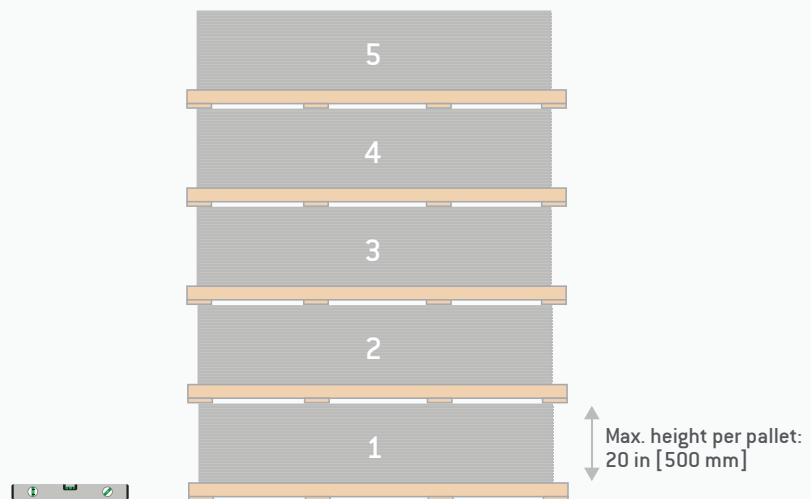
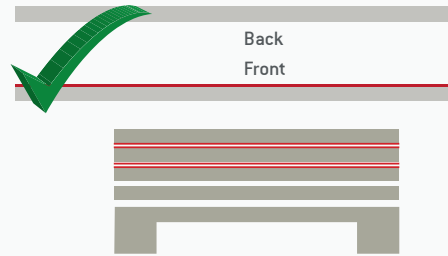
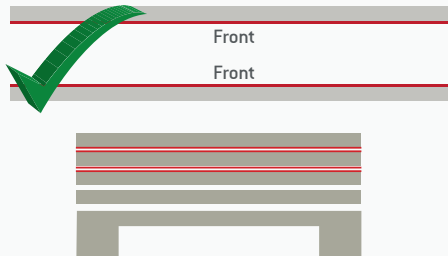
EQUITONE [natura], [natura] PRO, & [pictura]



EQUITONE [linea]

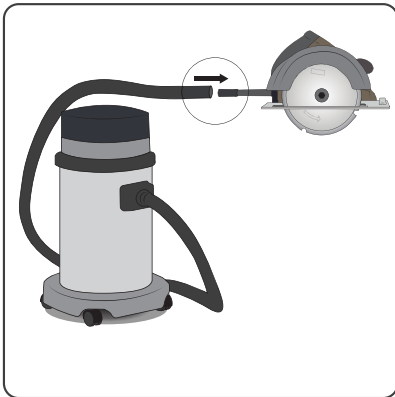


EQUITONE [tectiva] & [lunara]

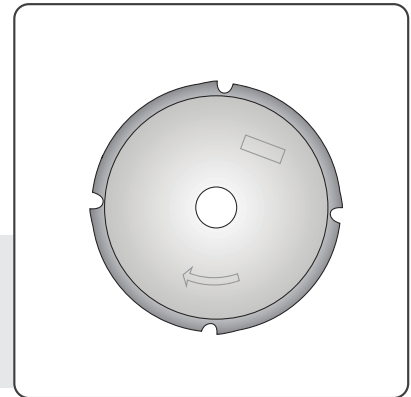


PANEL CUTTING

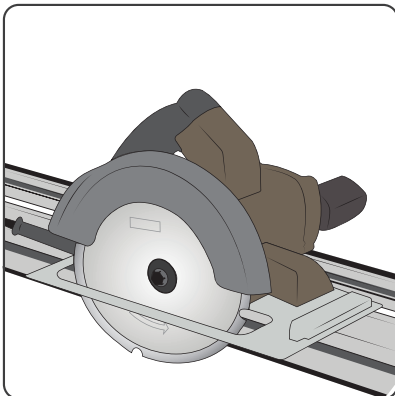
TOOLS



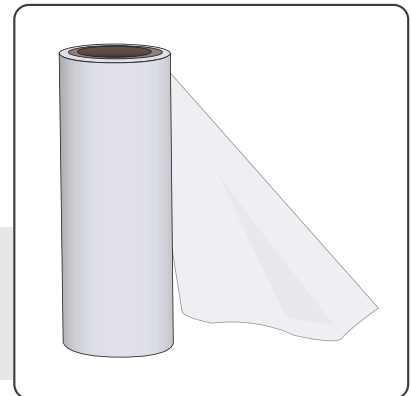
Dust extraction system



EQUITONE fiber cement saw blade



Circular saw & Guide rail



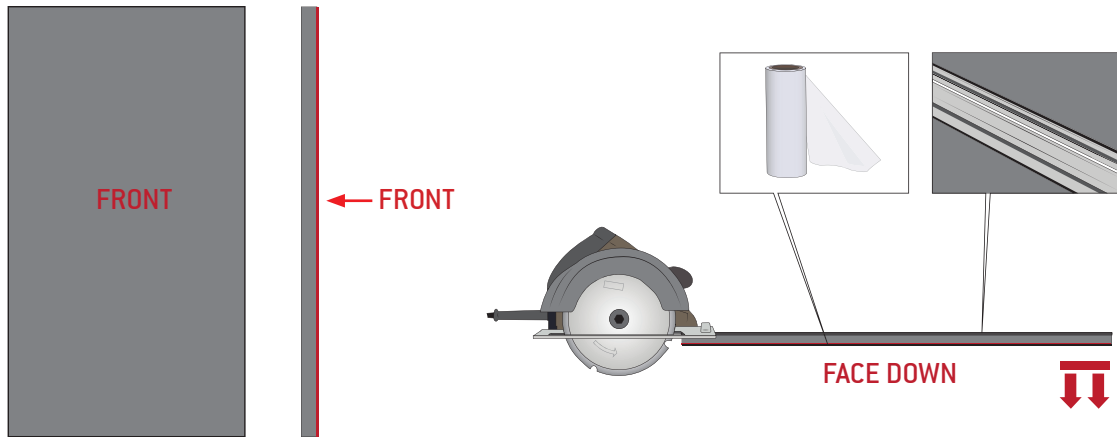
Styrofoam film



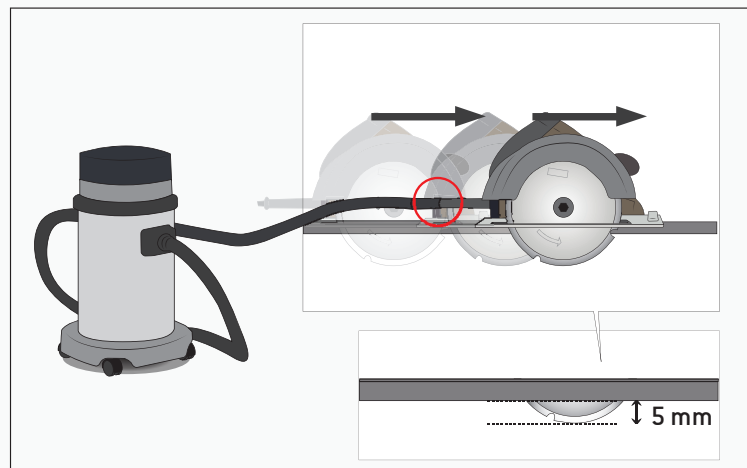
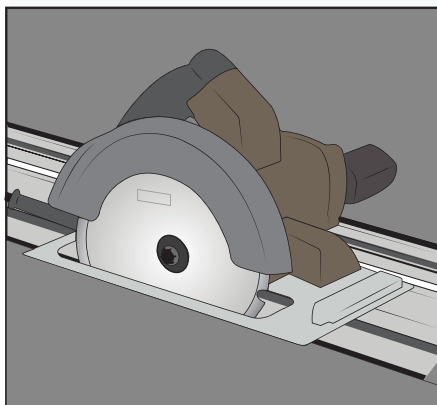
Stable Work Table With Sacrificial Board

PANEL CUTTING

1

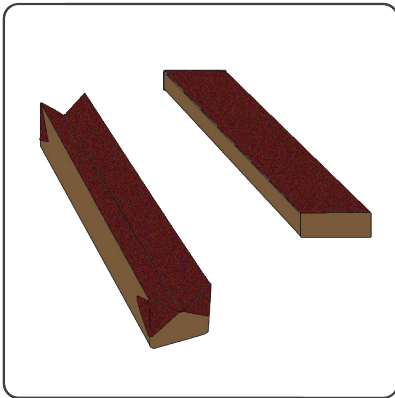


2



PANEL EDGE TREATMENT

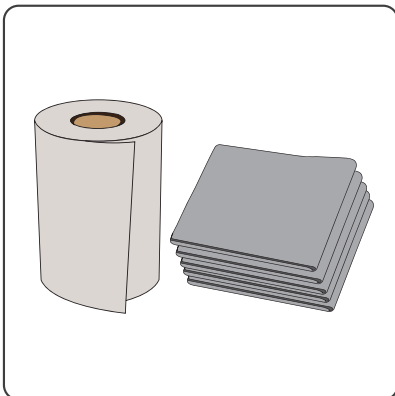
TOOLS



Sandpaper
(80 Grit)



Soft bristle
brush



Micro fiber cloth,
paper towel

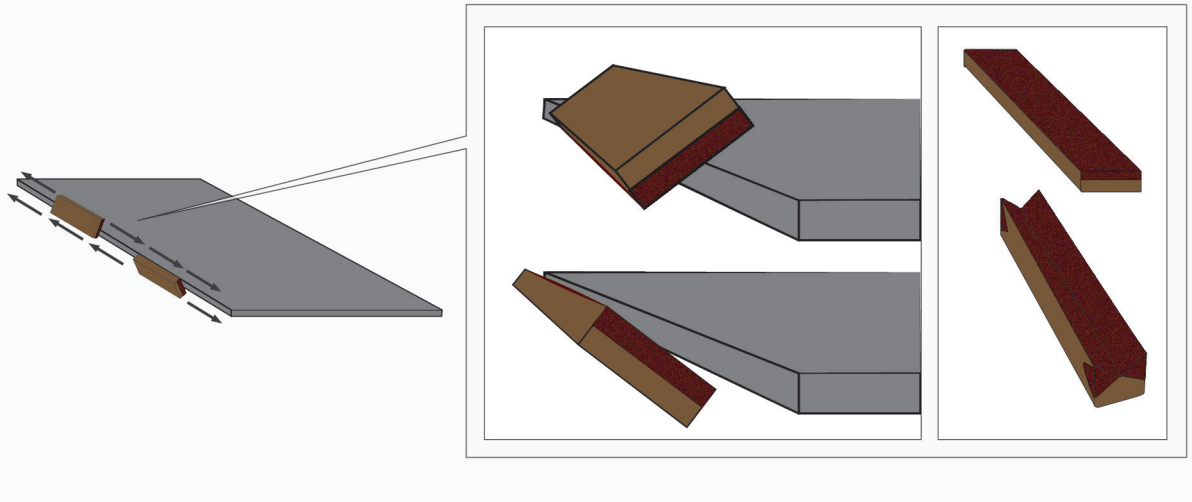


LUKO edge sealer
& applicator

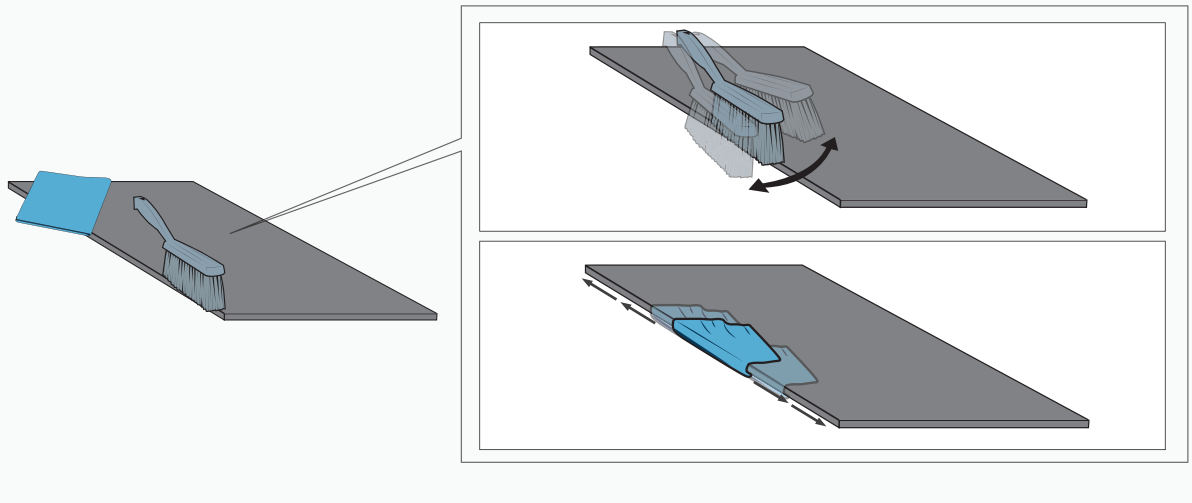
*For EQUITONE
[natura] & [natura] PRO

PANEL EDGE TREATMENT

1

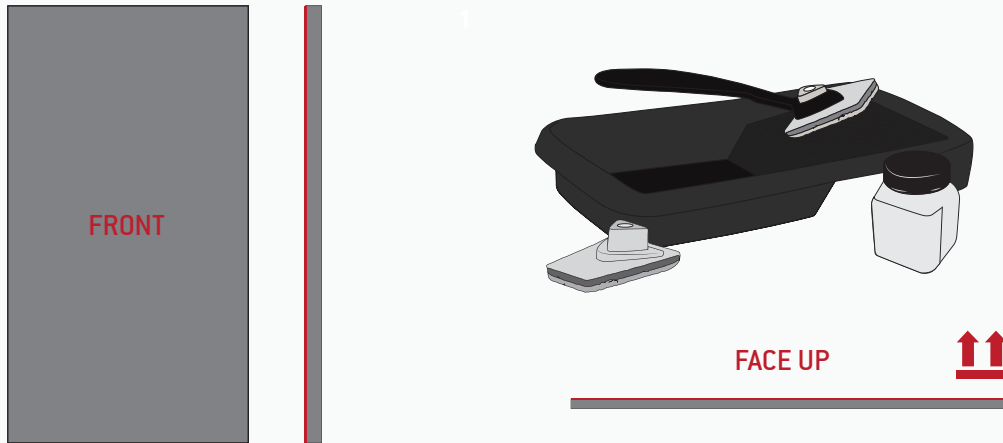


2

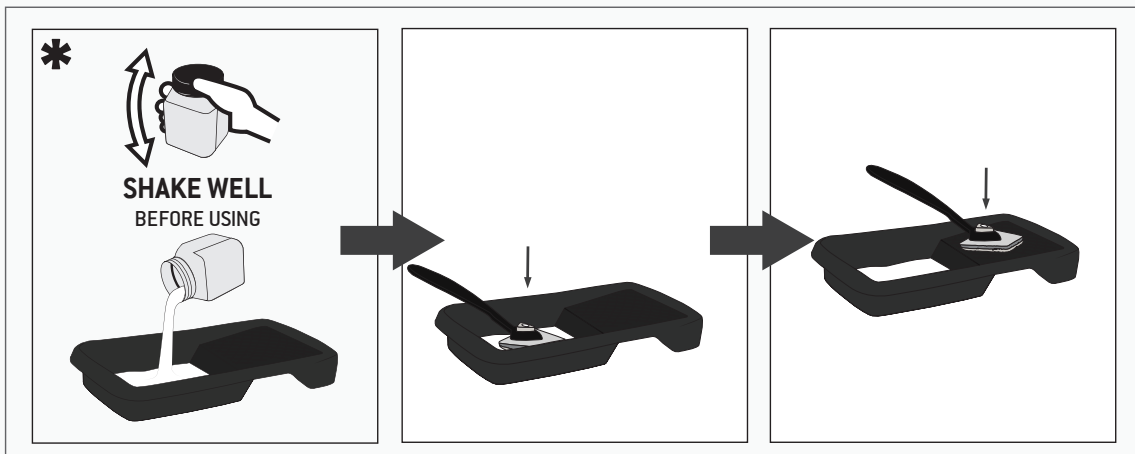


Steps 3 to 7: Only applicable to EQUITONE [natura] & [natura] PRO

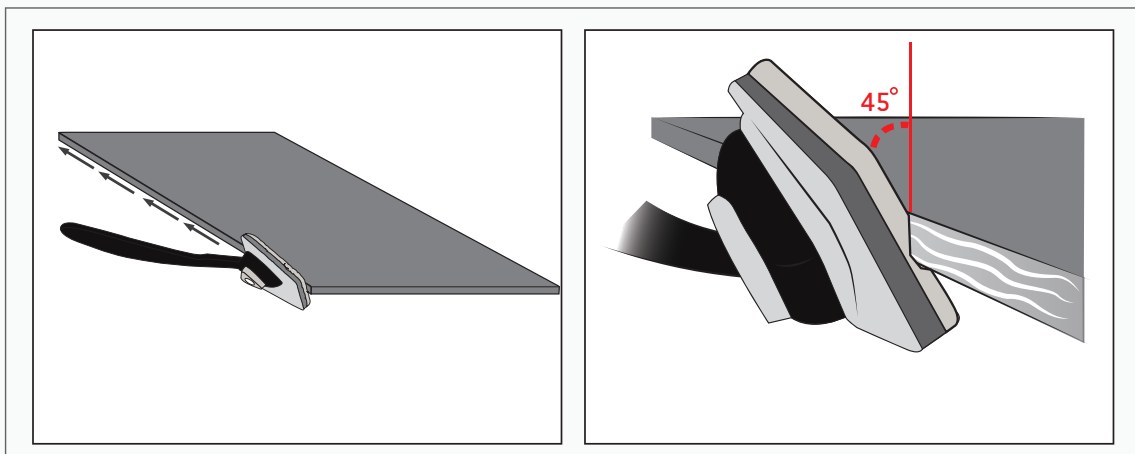
3



4

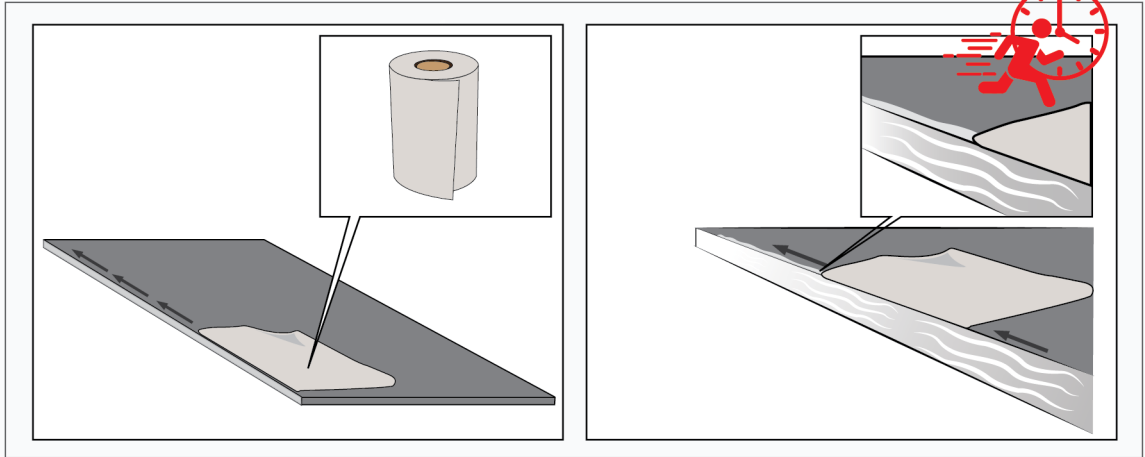


5

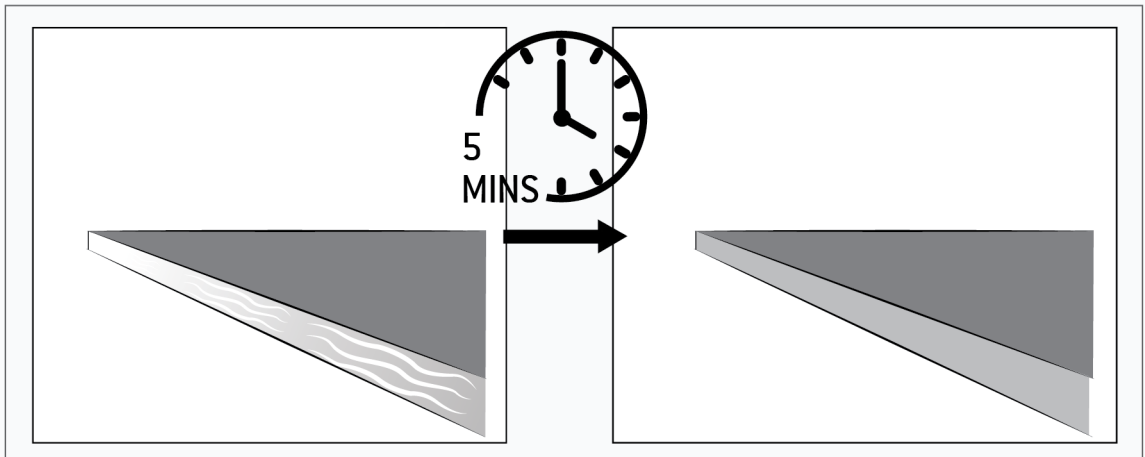


*Pour only enough LUKO into the tray that can be used within 30 minutes.

6

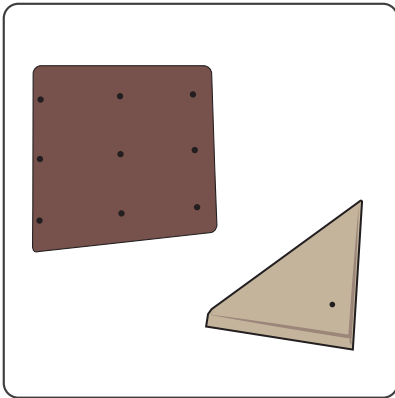


7



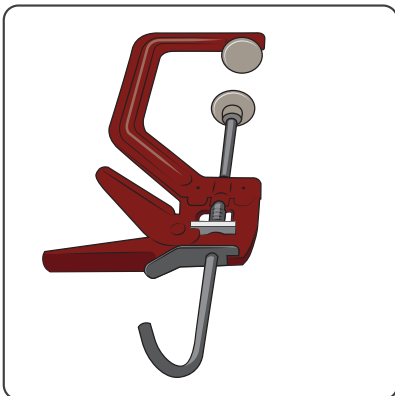
PANEL DRILLING

TOOLS



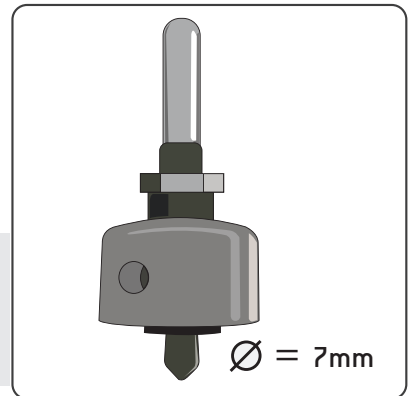
Hole Template
(Optional)

EQUITONE Drill Bit
7mm Diameter



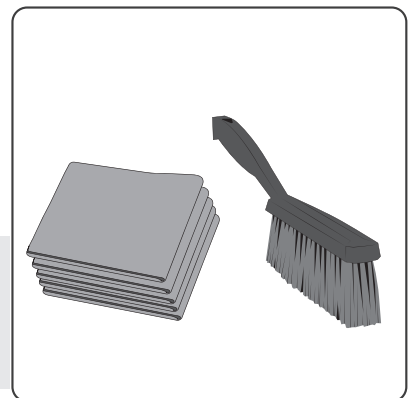
G Clamp
(Optional)

EQUITONE [linea]
milling tool
7mm Diameter

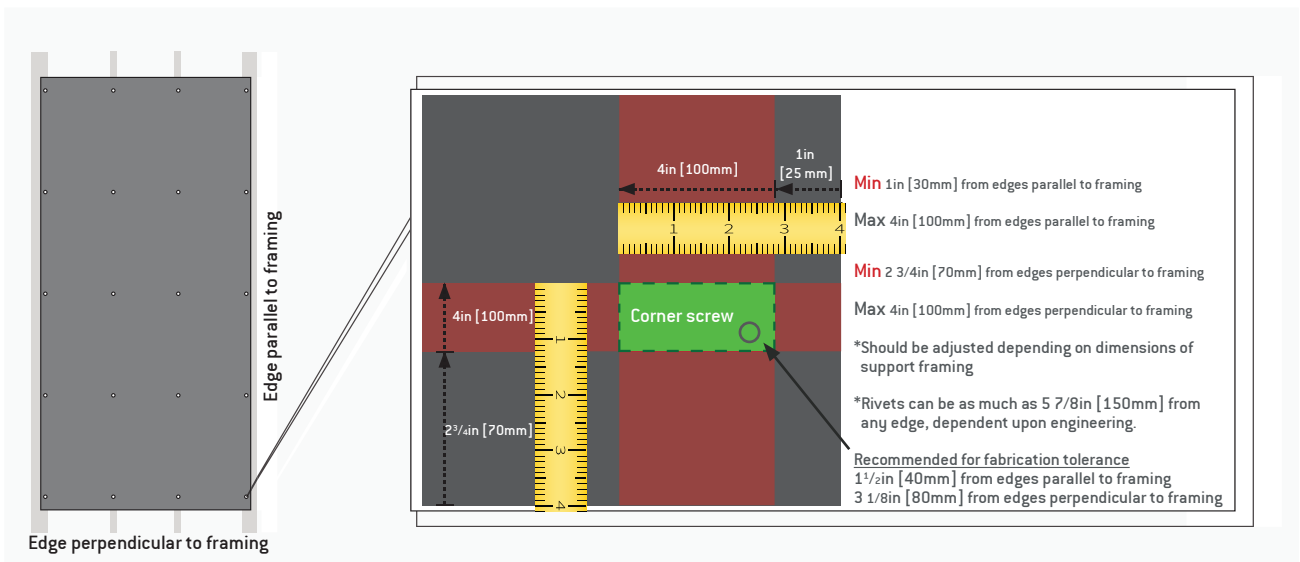
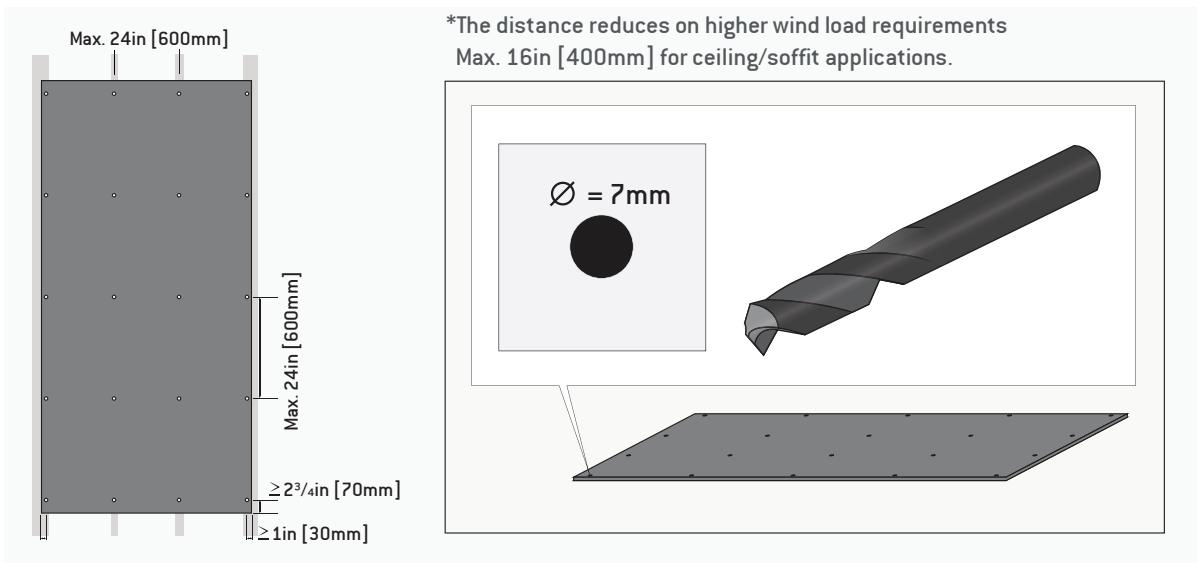
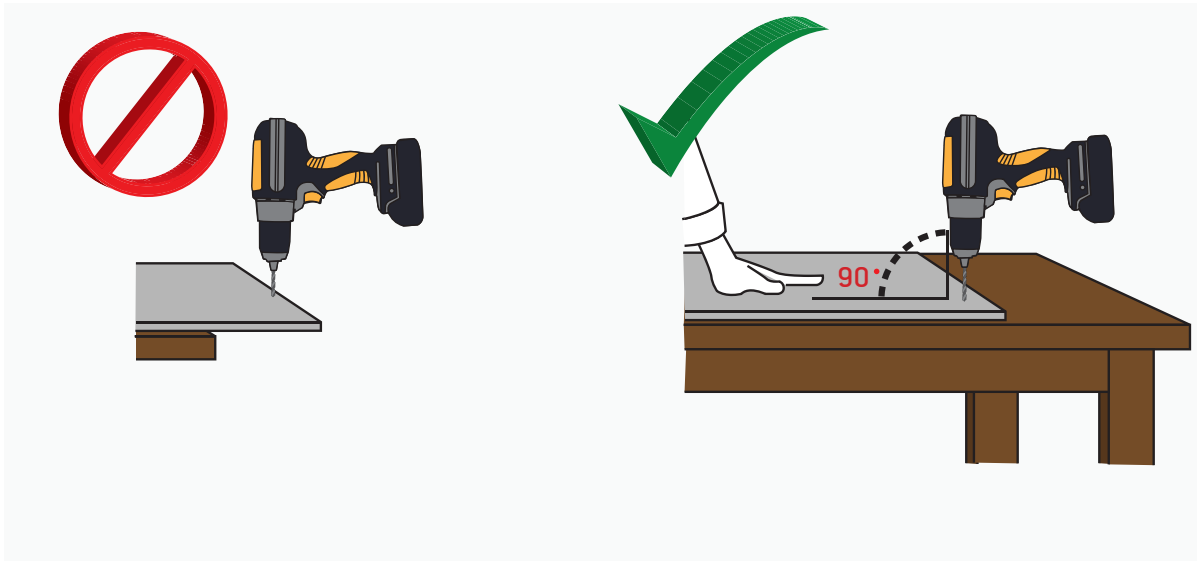


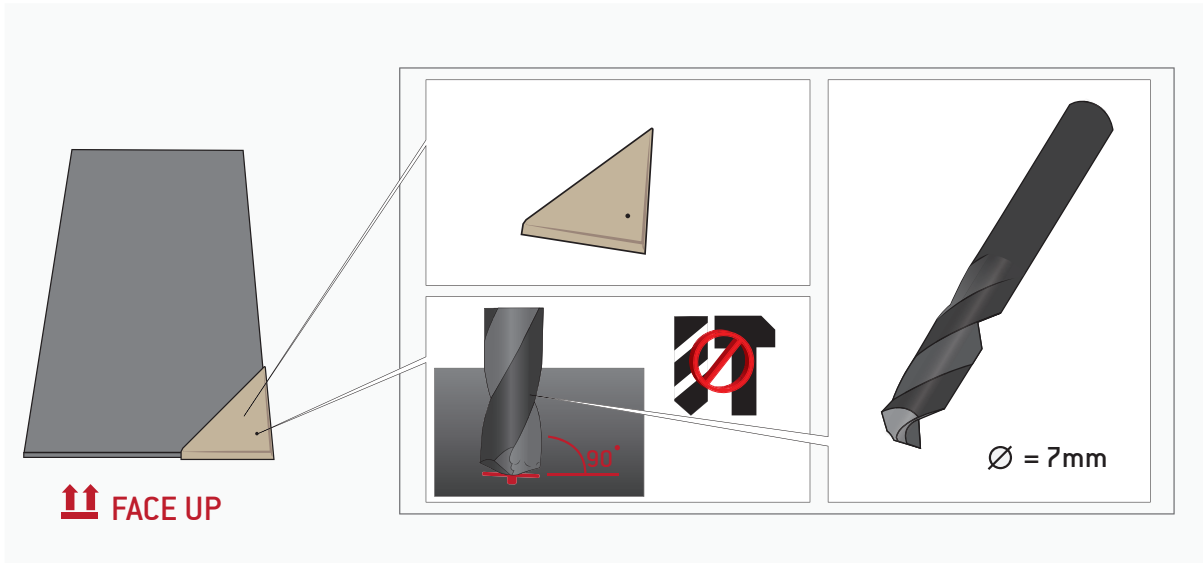
Stable Work Table
With Sacrificial
Board/Fiber Cement

Micro Fiber Towel
& Brush



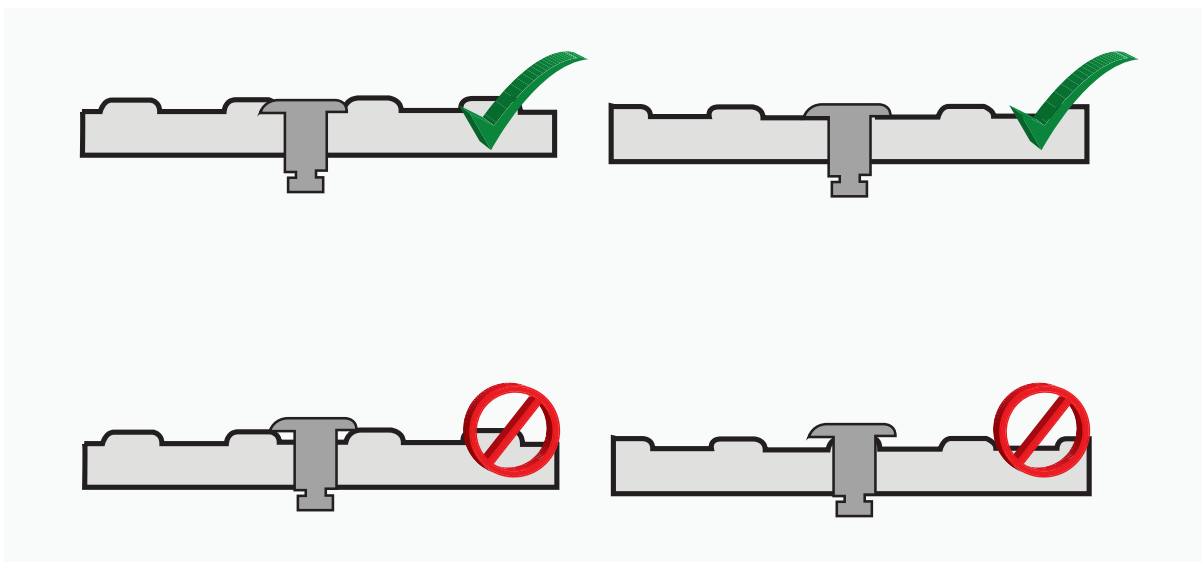
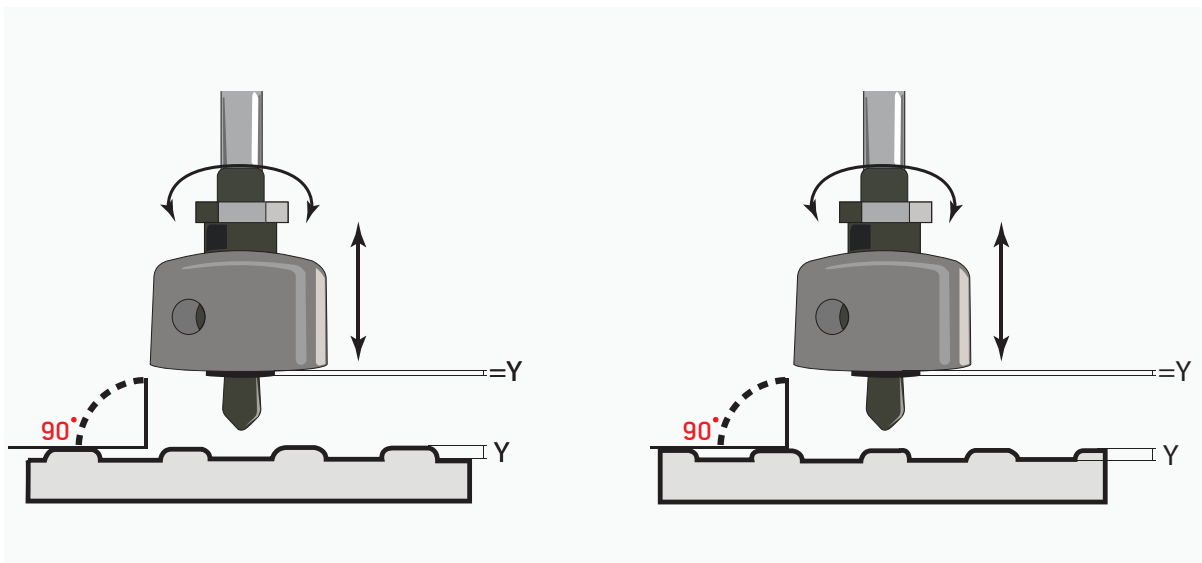
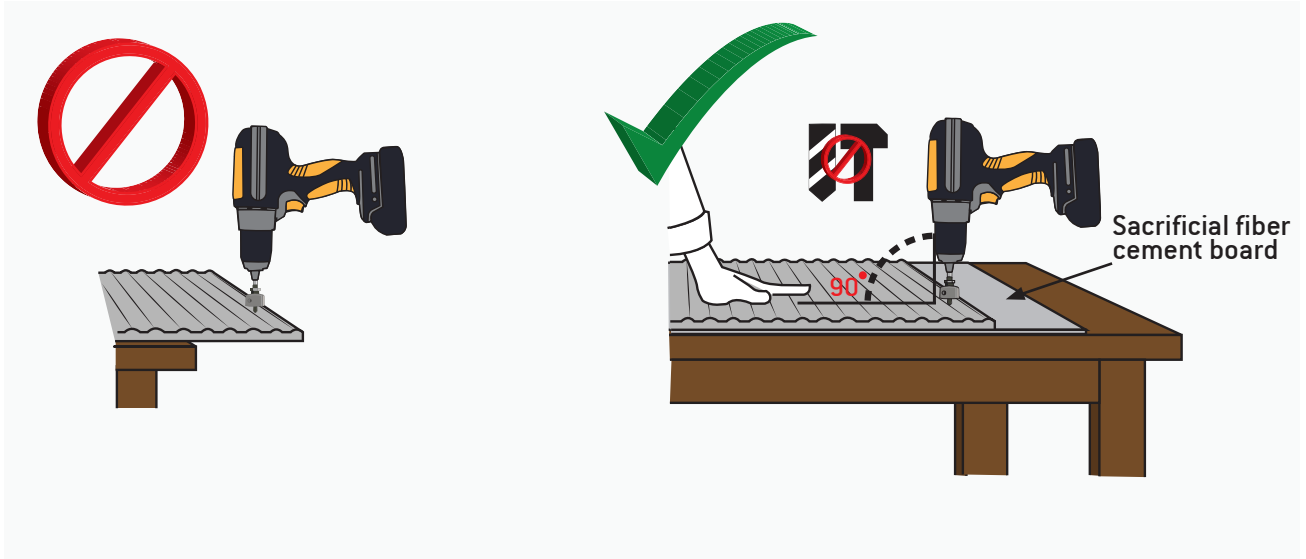
PANEL DRILLING





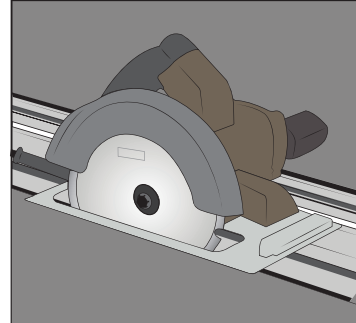
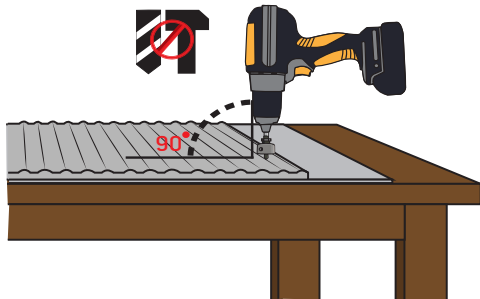
PANEL DRILLING

EQUITONE [linea]

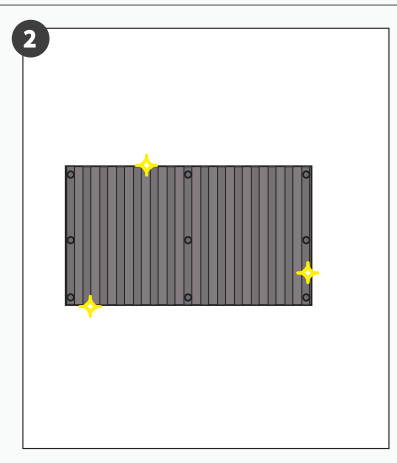
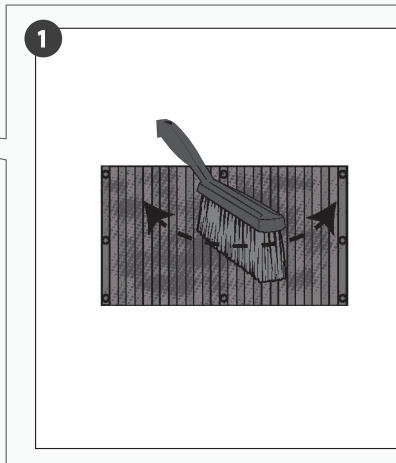
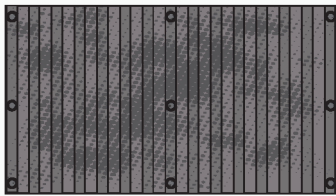


CLEANING

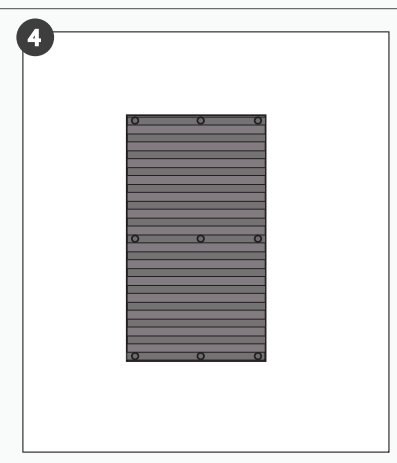
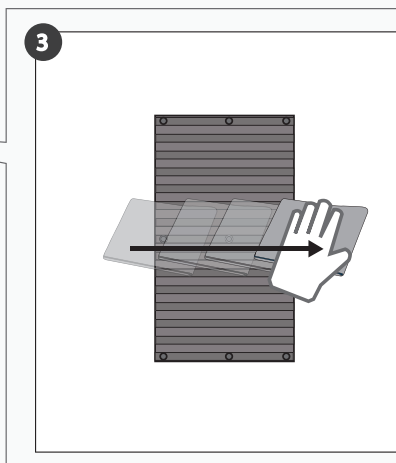
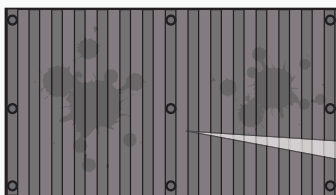
AFTER



DO



OR



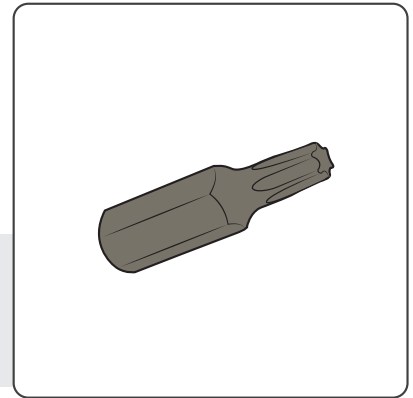
*It is important to clean the panel after any drilling or cutting operation.

UNI-SCREW FIXING

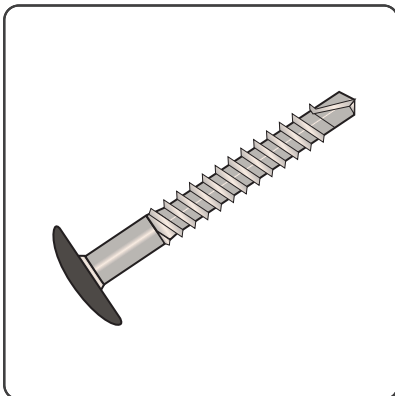
TOOLS



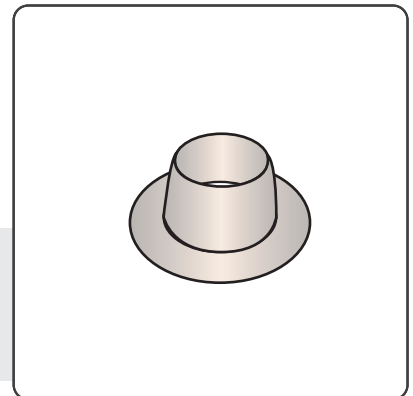
Cordless Drill



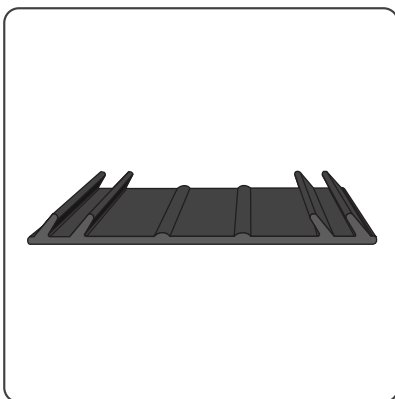
Torx T20



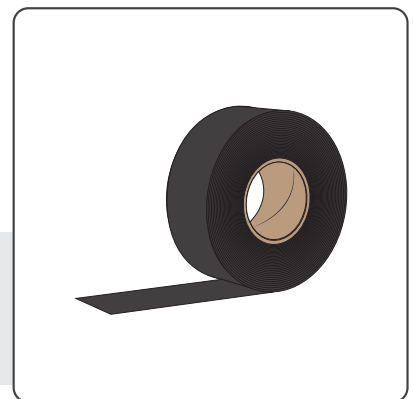
UNI-Screw



*UNI-Screw Collar



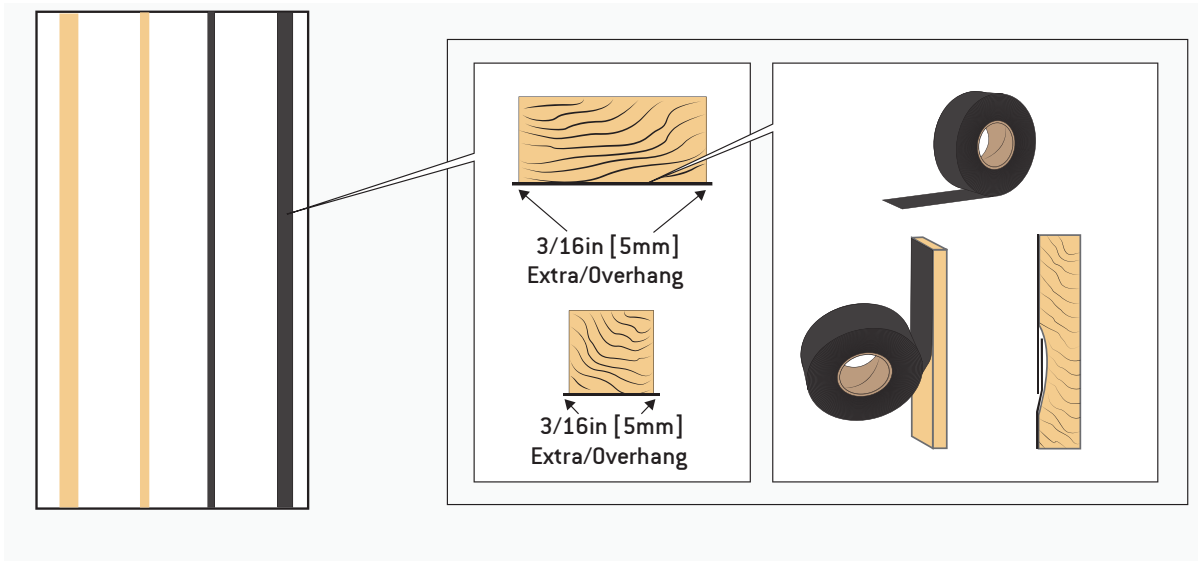
Option 1
Ribbed EPDM



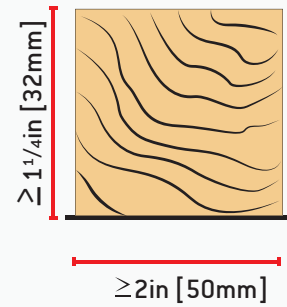
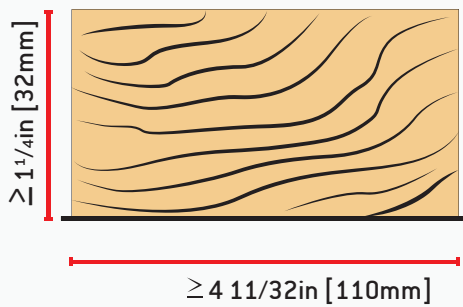
Option 2
Flat EPDM

*Only for EQUITONE [natura] PRO & [pictura]

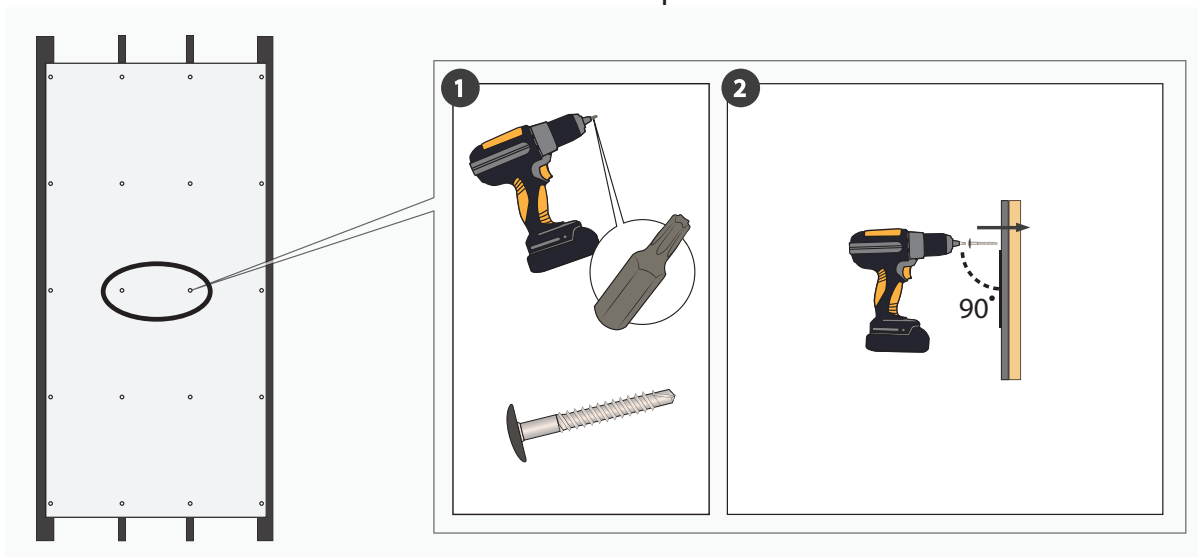
UNI-SCREW FIXING

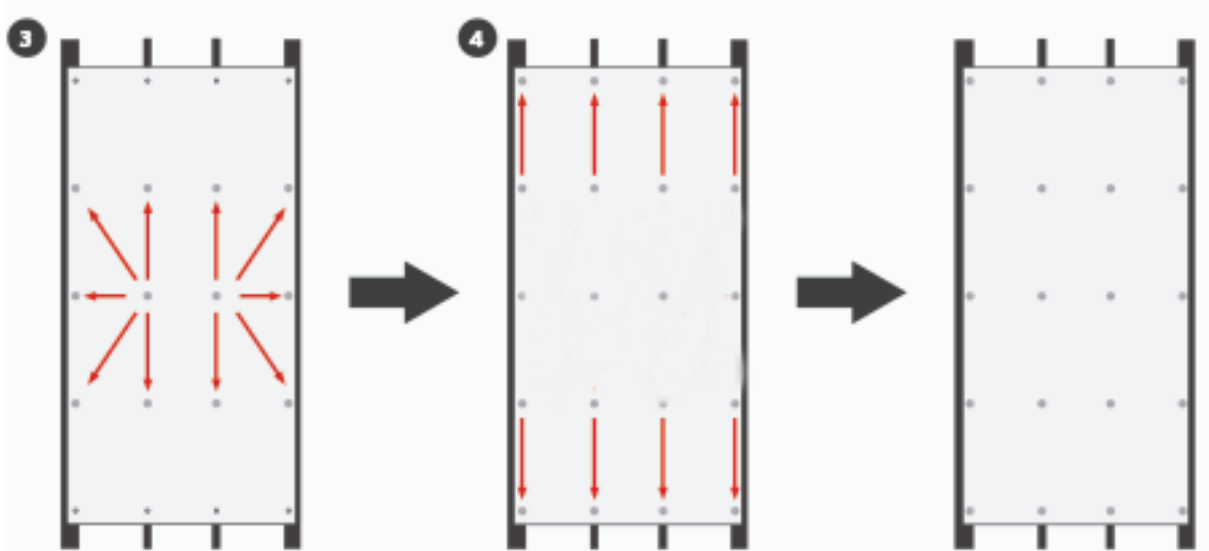


Minimum Batten Sizes



Start with center points

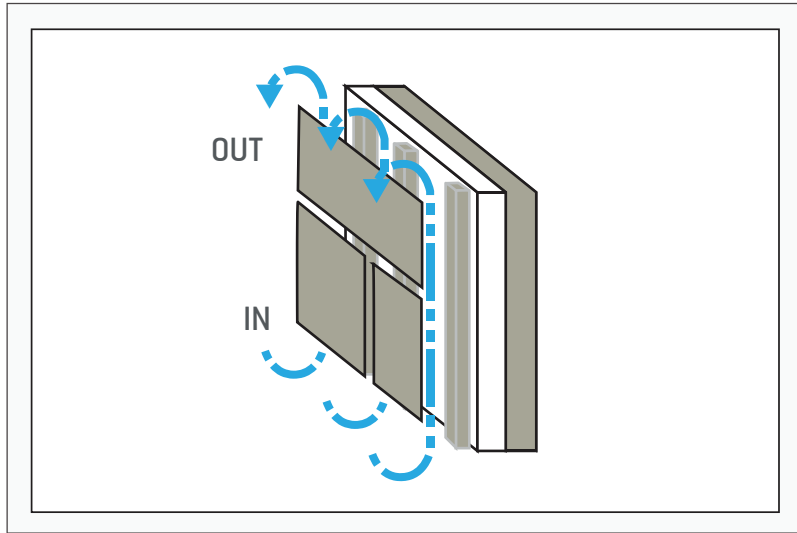




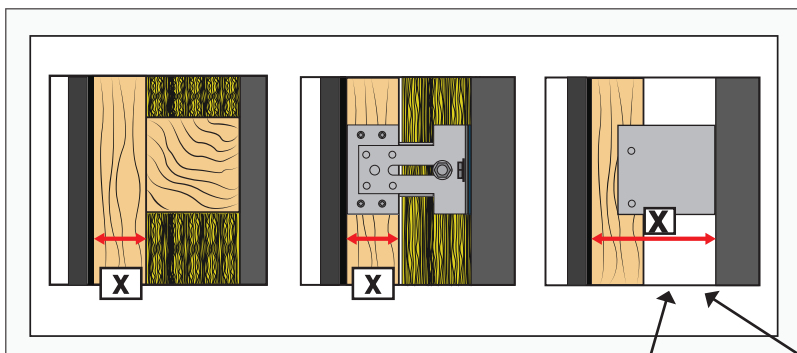
Installing moving outward from center points.

Repeat for additional rows of fasteners.

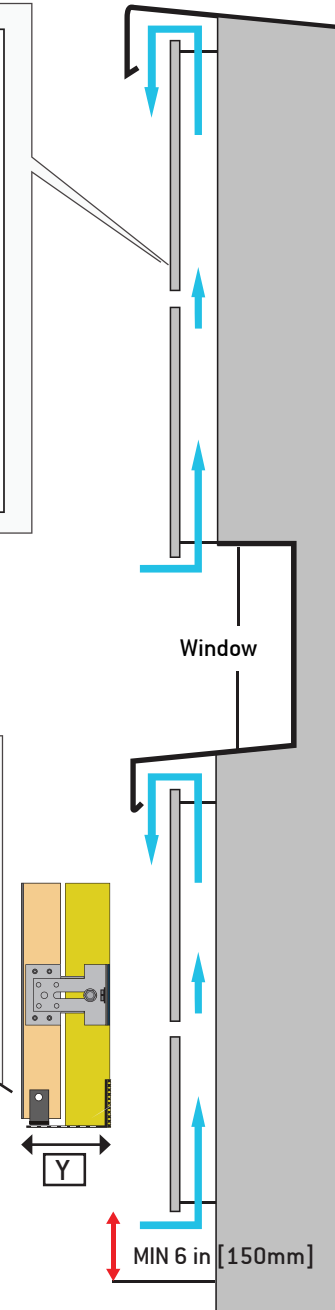
VENTILATION



Minimum inlet and outlet size 3/8 in [10mm]*



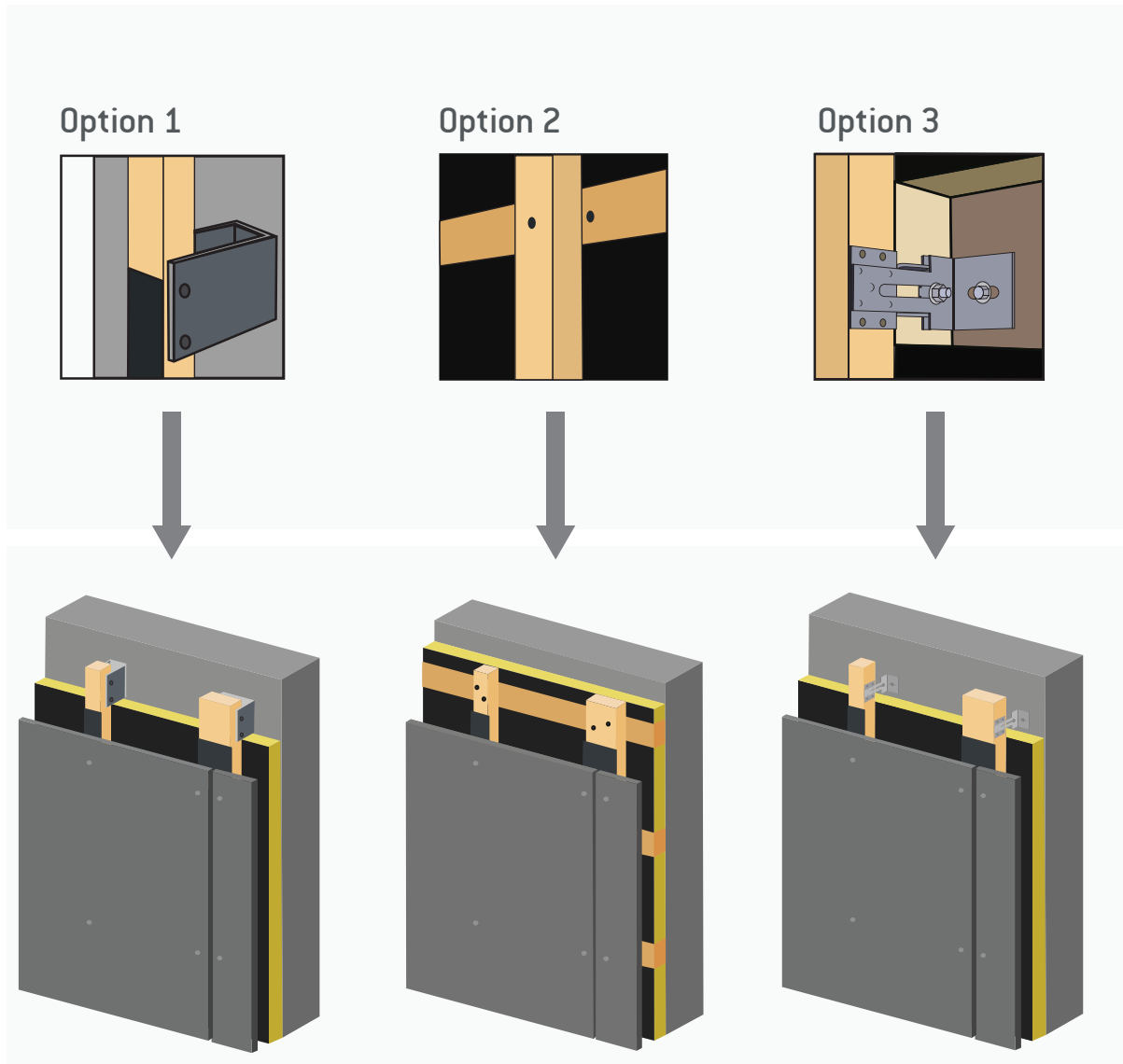
$X \geq 3/4$ in [20mm]** $Y \geq 2 3/8$ in [60mm]***

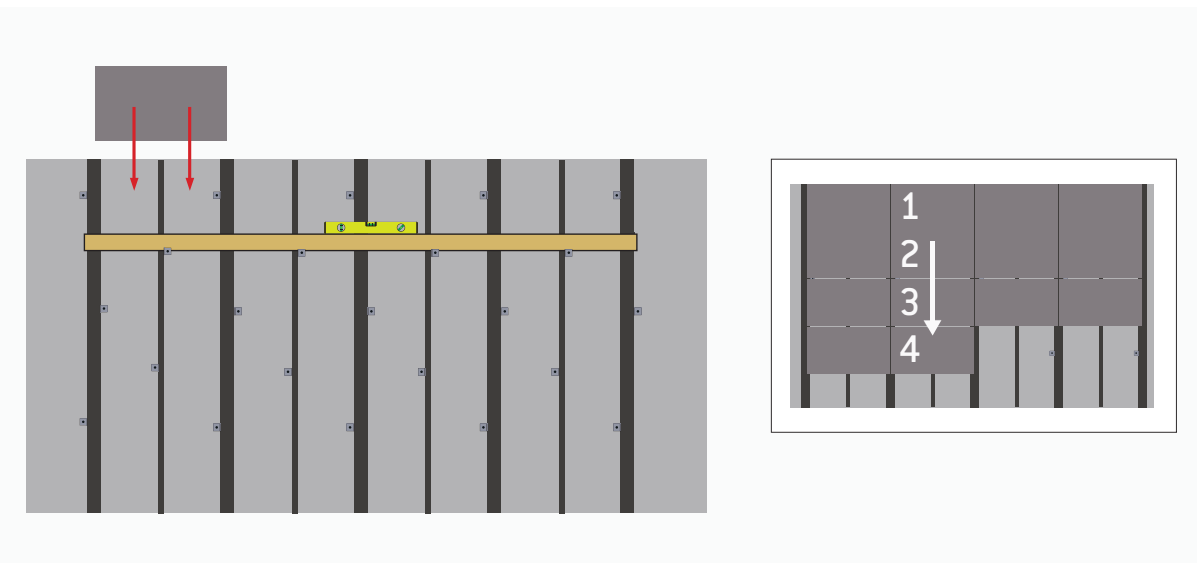
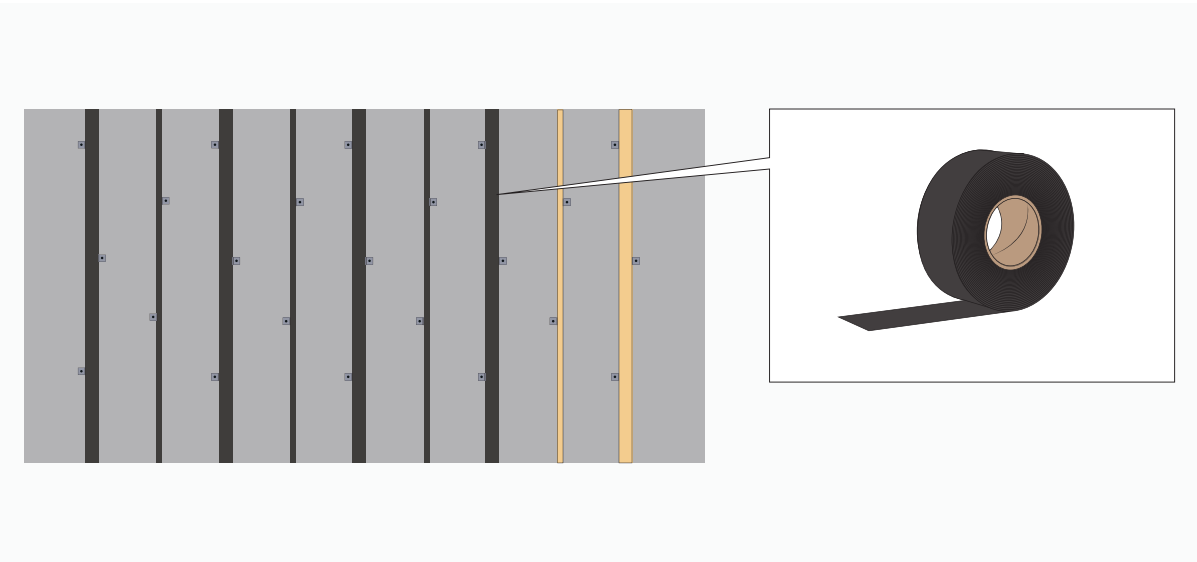
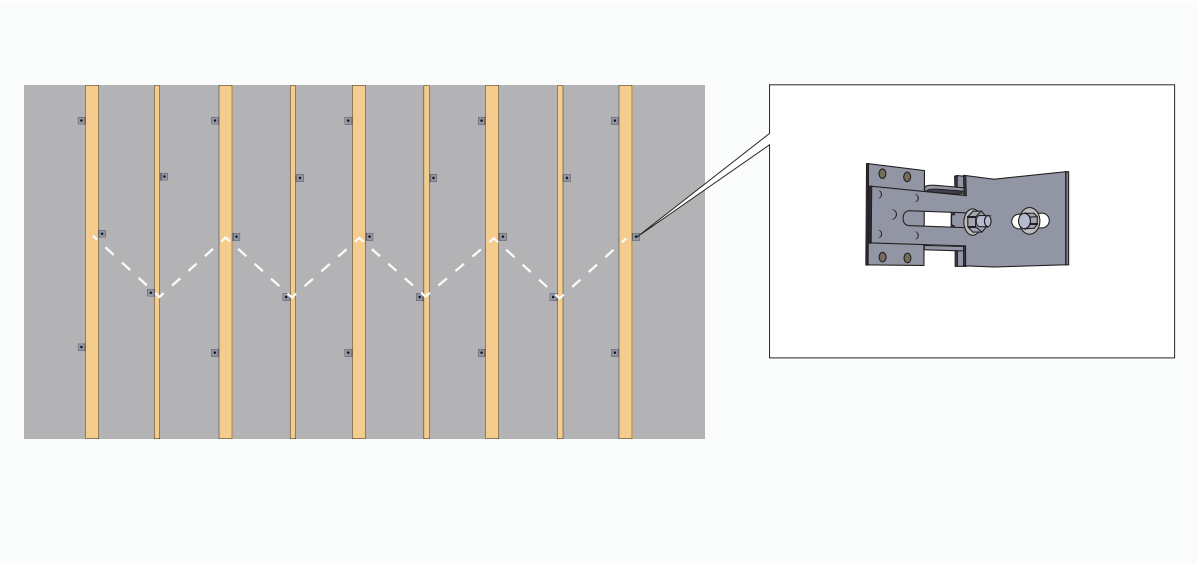


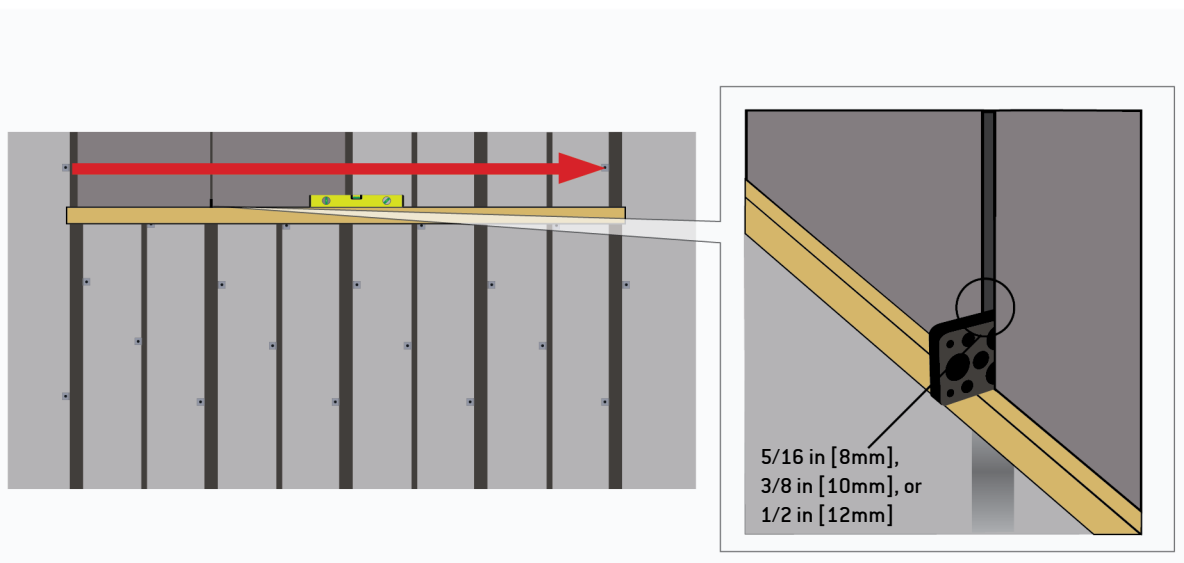
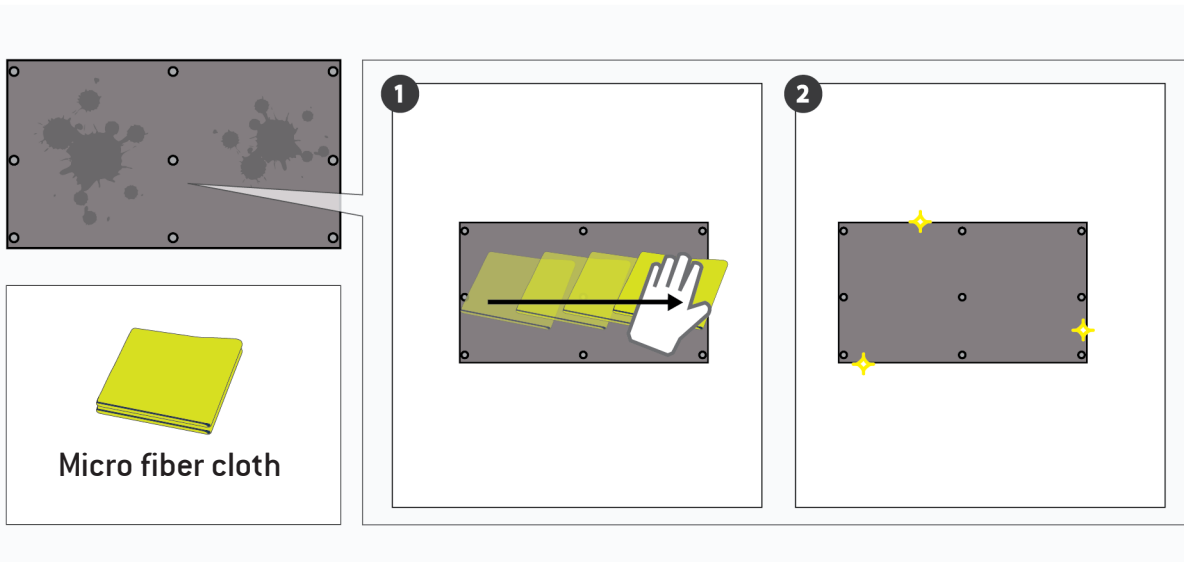
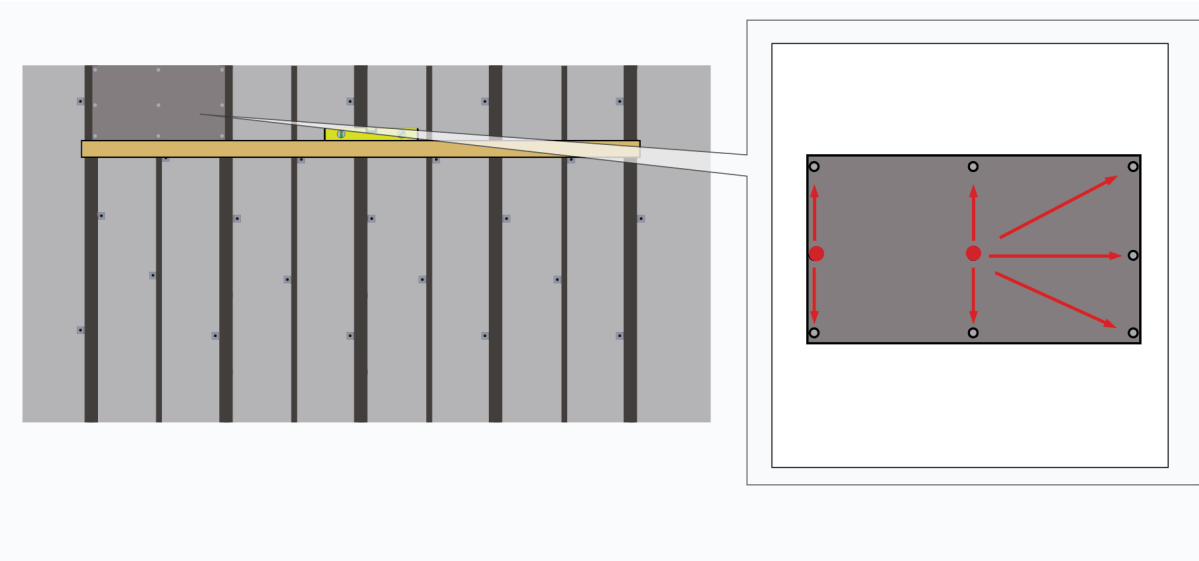
* Inlet and outlet opening sizes should increase as the distance between them increases. Outlet openings should always be less than or equal to the inlet openings.
 **Cavity space X increases as the height of the facade & vertical distances IN & OUT increases
 ***Closure width Y is dependent upon the volume of air the perforations allow. A 33% perforated profile should be 3x wider than the recommended inlet size.
 ****Refer to other relevant EQUITONE technical documentation for more details regarding minimum sizing for ventilation.

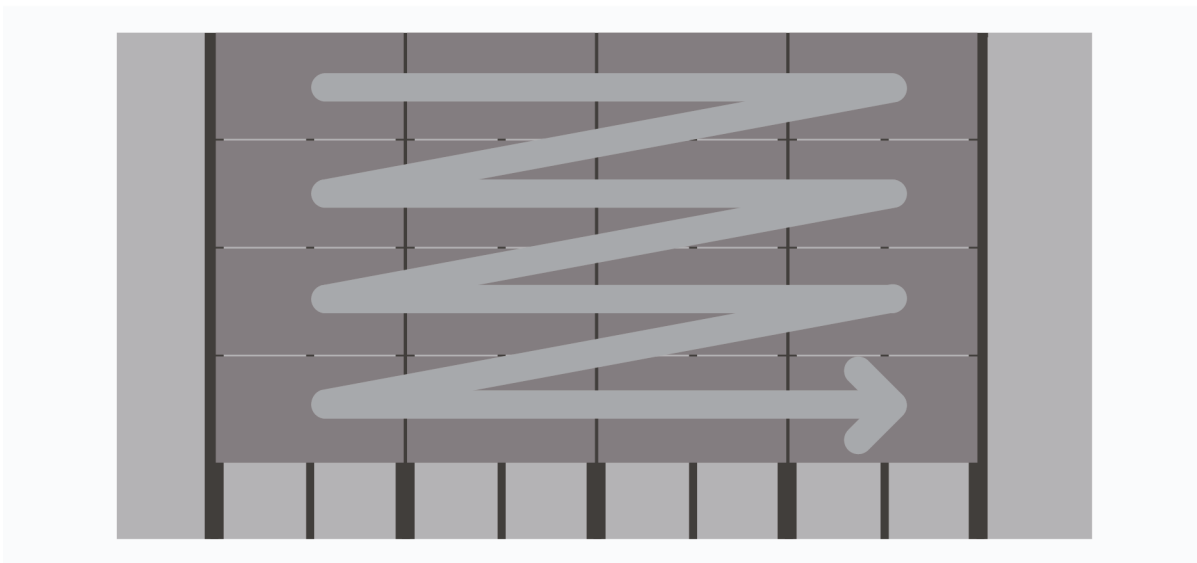
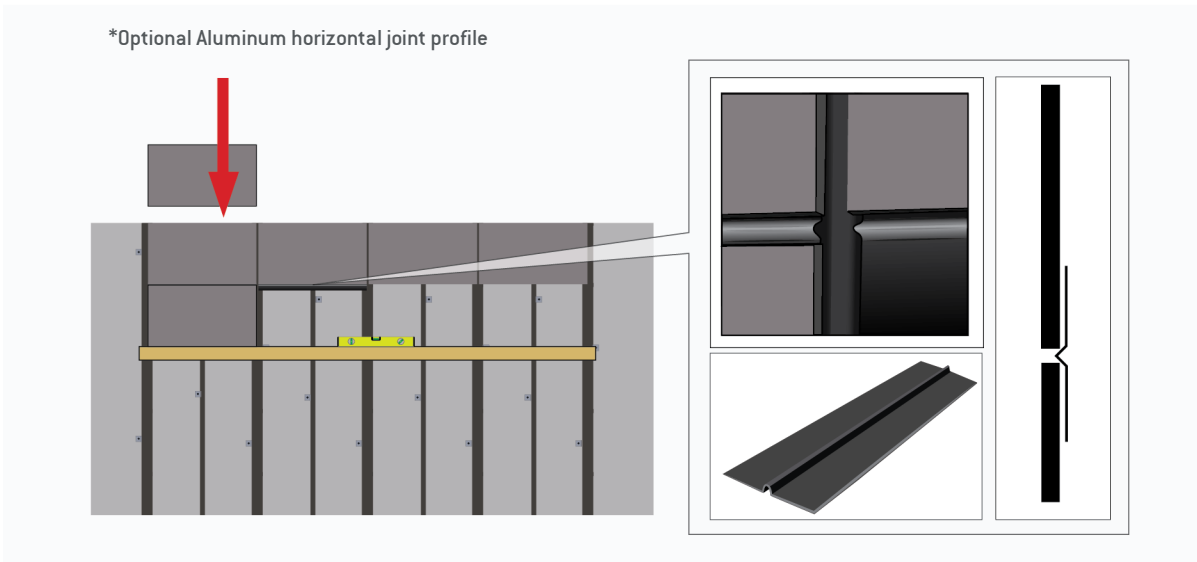
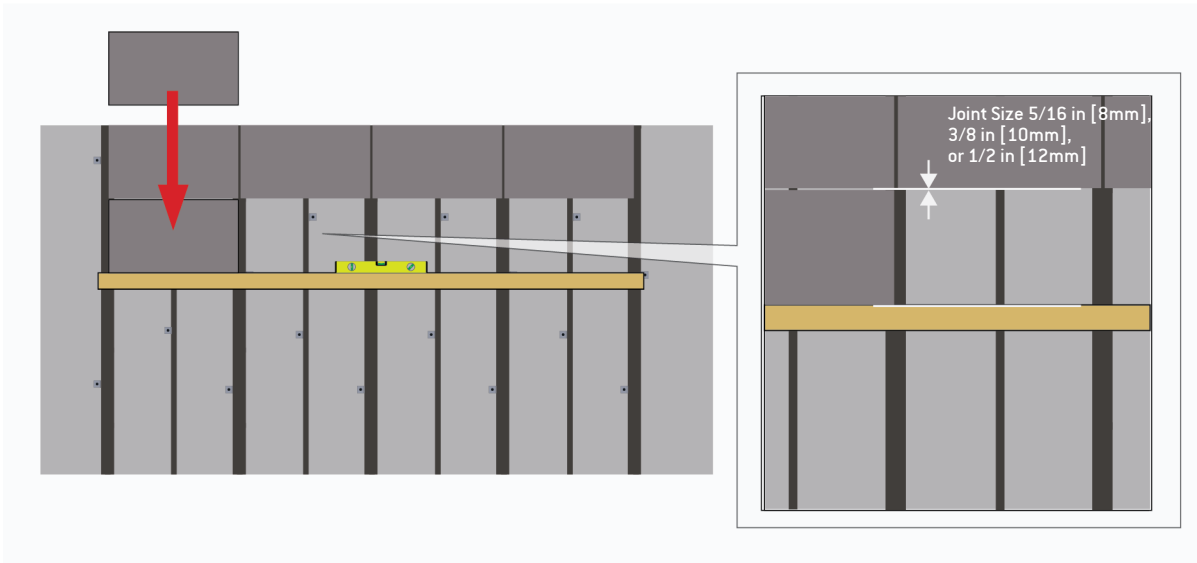
INSTALLATION

Typical batten fixing options



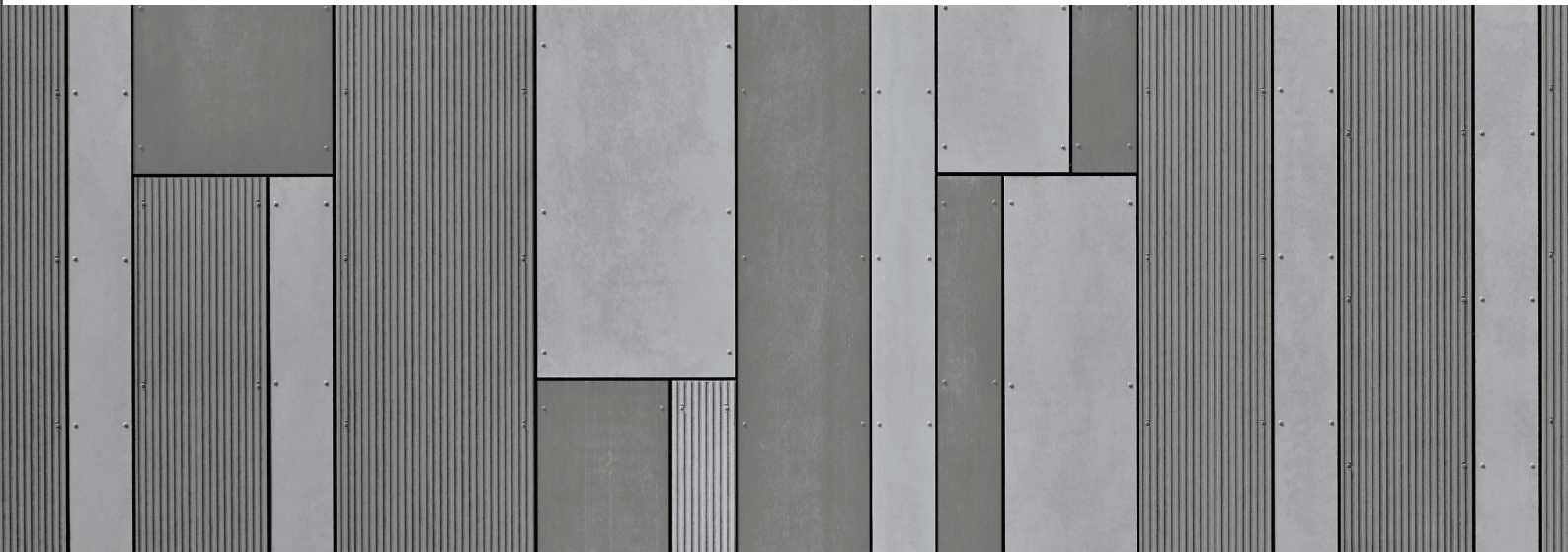










 **EQUITONE**
Fibre cement facade materials



equitone.com

Follow us:

-  [equitone facade](#)
-  [equitone facade](#)

