

Product description

EQUITONE fibre-cement façade panels may be face fixed to a timber supporting frame using the EQUITONE UNI-Screw DP (DP = Drill Point).

The EQUITONE UNI-Screw DP can be used to fix: EQUITONE [linea], EQUITONE [lunara], EQUITONE [natura], EQUITONE [natura] PRO, EQUITONE [pictura], EQUITONE [tectiva], EQUITONE [textura], to a vertical facade, soffit or ceiling.



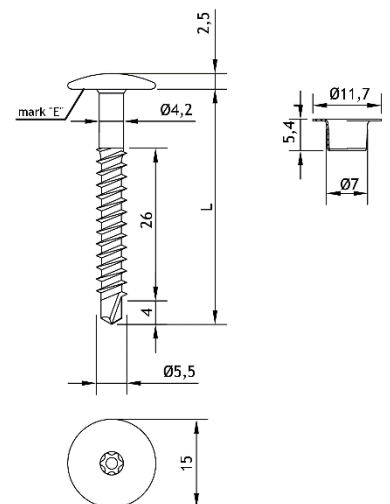
1. Technical Characteristics

With its unique design the EQUITONE UNI-Screw DP fixing provides a fixing solution that does not require predrilling of the timber framing. The screw has a Torx TTAP20 recess.

EQUITONE UNI-Screw DP is available for:	
8 mm thick panel	5.5x40 UNI-Screw DP
10 mm thick panel	5.5x40 UNI-Screw DP
12 mm thick panel	5.5x50 UNI-Screw DP

UNI-Screw DP Dimensions	
Diameter	5.5 mm
Length (L)	40 mm & 50 mm
Head diameter	15 mm

UNI-Screw DP Materials	
Body	stainless steel A2 (AISI 304) material number 1.4567 (EN 10088-1)



Characteristic head pull through resistance is 2000 N

Characteristic withdrawal resistance of wood C24 acc. EN 1382 is 2035 N

UNI-Screw DP Coating:

The stainless steel UNI-screws have colour matched heads to match the panel colour.

The coating system is a two-layer process.

An optional marine protection is available on request.

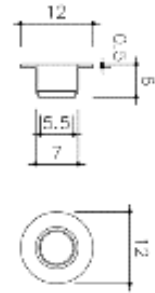
The coating thickness is 30 - 80 µm depending on the finish.

2. Sleeve

As part of the EQUITONE UNI-screw fixing system, a stainless steel screw sleeve should be inserted into all holes of EQUITONE [natura] PRO and [pictura] before screw fixing. This sleeve offers extra protection to the PU top coat to prevent coating damage.

Sleeve Dimensions	
Sleeve outer diameter	7 mm
Sleeve inner diameter	5.4 mm
Diameter of flange	11.7 mm

Sleeve Materials	
Sleeve	Stainless steel A2 (AISI 304)



3. Packaging

EQUITONE UNI-Screw DP	250 pieces per box - 1 torx bit included
EQUITONE UNI-Screw sleeve	250 pieces per box

4. Supporting Frame

UNI-Screws can only be used with timber supporting frames.

Disclaimer

The information in this document is correct at time issuing. However, due to our committed program of continuous material and system development we reserve the right to amend or alter the information contained therein without prior notice. Please visit www.equitone.com to ensure you have the most current version. All figures contained in this document are illustrations and should not be used as construction drawings. This information is supplied in good faith and no liability can be accepted for any loss or damage resulting from its use. This document is protected by international copyright laws. Reproduction and distribution in whole or in part without prior written permission is strictly prohibited. EQUITONE and logos are trademarks of Etex NV or an affiliate thereof. Any use without authorisation is strictly prohibited and may violate trademark laws.